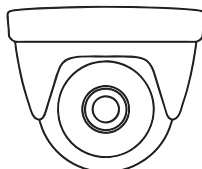


ACD-IWD1-362-1

Analog CCTV camera



CAUTION!

- Before providing power for the camera, please read this User Guide in detail!
- Do not attempt to disassemble the camera. If the camera is not working, please contact local reseller or our company
- To prevent risk of electric shock or fire hazard, do not use the indoor camera outside, in the rain or in high humidity conditions.
- To prevent electric shock and risk of fire hazards, do not use other power source than specified.

ANALOG CAMERA QUICK INSTALLATION AND OPERATION GUIDE

V 1.0_201501

COPYRIGHT & TRADEMARKS

We reserve the right to change the product specification without notification. 8level is a registered trademark of 8level. No part of the manual may be reproduced, translated or processed in any other form without permission from 8level NEXT LEVEL IN NETWORKING. All rights reserved. Copyright © 2011 8level.

CE DECLARATION OF CONFORMITY

The product fulfills the following requirements according to:



EMC Directive 2004/108/EC

LVD Directive 2006/95/EC

SAFETY NOTICE

Do not use this product near water. Do not place heavy objects on the casing.

RECYCLING NOTICE



The symbol of the crossed-out wheeled bin on this product means that it is forbidden to place the equipment waste together with other waste (under penalty of fine). Detailed information about recycling of the product can be obtained at local authorities, local waste treatment plants or local distributors. Forwarding the equipment waste to recycling or recovery points helps to avoid the negative influence of the harmful components present in the equipment on the environment and human health; in this scope the primary role is played by each household.

SPECIFICATION

Model	ACD-IWD1-362-1
Sensor	1/3" PC1099 CMOS
Effective Picture Elements	960 (H) x 576 (V)
Horizontal Resolution	1000TVL
Minimum Illumination	0,01Lux
S/N Ratio	>48dB
Auto Electronic Shutter	NTSC:1/60s~1/100,000s PAL:1/50s~1/100,000s
IR Distance	20m
IR Sensitivity	Under 10 Lux
IR Power On	Automatic
Video output	1Vpp, 75 Ohm
Gain Control	Automatic
Power Supply	DC12V (+/- 10%) 350mA
Lens	3.6mm
Dimensions	94x69(H)mm
Weight (g)	300
Storage Temperature	-30~+60 °C RH 95% max
Operating Temperature	-10~+45 °C RH 95% max

PROBLEMS AND SOLUTIONS

No picture after providing power

- Check the power supply voltage and polarity
- Check the video connections (cable, plugs)

Picture is too dark

- Check the monitor and DVR screen setup (brightness, contrast)
- Check the power supply voltage
- Check the video cable length and impedance. With the cable length exceeding 300m (RG59 or UTP5 cable) you may experience a lowering of video signal quality. In such case please use an external video signal amplifier, or shorten the video cable.

The video has horizontal flowing stripes

- Check the power supply. Too high or too low voltage may be the source of this phenomenon. In such case, please change the power source.

The video flickers, changes colors

- Check if the camera is facing the direct sunlight or a strong source of fluorescent light. If so, please change the camera angle.
- Check if the observation background is lit with strong fluorescent light. Reduce the fluorescent lamp numbers or increase the distance between the camera and the fluorescent lamps.

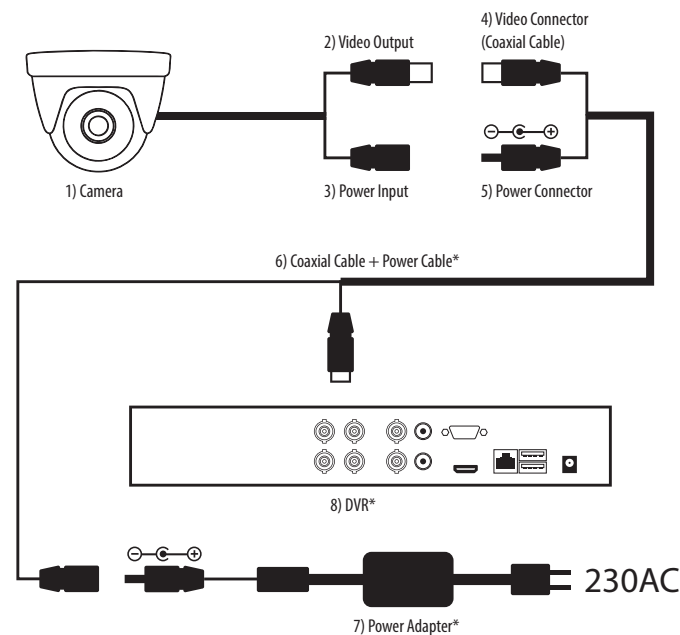
CAUTION!

- Use only CE certified power source. Its' output voltage, current, voltage polarity and operating temperature must match the camera's requirement. When using the camera in the thunderbolt condition, please mount an additional Anti-thunder device.
- Avoid using the camera at too high or too low temperatures.
- Avoid the camera facing the sun or very bright source of light. Otherwise, it can result in CCD damage.
- Do not mount the camera nearby the radiator or heater.

PACKAGE CONTENT

- Analog CCTV camera
- Quick Installation and Operation Guide with CE Certificate

CONNECTION DIAGRAM



8level NEXT LEVEL OF NETWORKING

DECLARATION OF CONFORMITY

For the following equipment:

Product Description: Analog security camera
Model No.: ACD-IWD1-362-1, ACD-IWD1-VF4-1, ACD-IWD1-362-1, ACD-IWD1-WF3-1
Trademark: 8level

We declare under our own responsibility that the above products, satisfy all the technical regulations applicable to the product within the scope of Council Directives.

Directives 2004/108/EC

The above product is in conformity with the following standards or other normative documents:
EN 55022:2010
EN 55024:2010
EN 61000-3-2:2006+A1:2009+A2:2009
EN 61000-3-3:2008

Directives 2006/95/EC

The above product is in conformity with the following standards or other normative documents:
EN 60950-1:2011

Person is responsible for marking this declaration:

Małgorzata Holcman
CEO



12.12.2014

8level.com.pl
© 2014 8level.com.pl